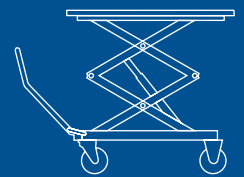
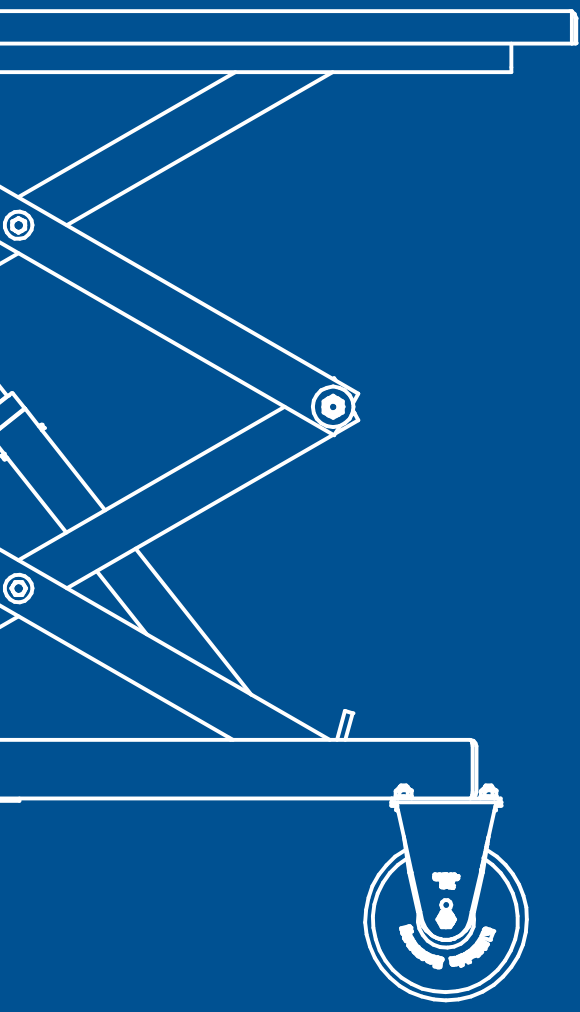


The Universal Lifting Table





Flexibility of use:

easy handling and extensive application possibilities, including in electric vehicles

Total safety:

optimum assembly and fastening of the various components

Great versatility:

wide range of accessories for all fields of application



Universal lifting table with a load capacity up to 2 t. Suitable for easy and safe removal and installation of engines, gearboxes, HV batteries, and chassis components.

Developed on the basis of 20 years of experience as a manufacturer of lifting tables in cooperation with leading car manufacturers.

LIFTING TABLES

Hydraulic



For engines, gearboxes & HV batteries.



Also suitable for electric vehicles.



Using standard maintenance permits safe working when servicing the lifting table.

Fixed mounting plate with 2 x 7 holes for secure mounting of various supports; or tilting depending on the model. The mounting holes arranged on both left- and right-hand side of the platform offer plenty of possibilities to mount mounting tools.



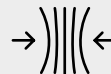
The integrated lowering brake valve allows an exact dosing of the lowering speed.

Large castors and parking brakes ensure excellent mobility in the workshop.

Easy to maneuver even with load thanks to plastic rollers with ball bearings.

The hydraulically controlled lifting load stroke is activated by foot, using a double acting pump that ensures the lifting of any load quick and effortless.

The compact design provides plenty of space underneath the vehicle.



The shallow, slim design and the handle that can be moved vertically, make positioning underneath the vehicle very easy.

Model overview



	KTE100	KT100
Lifting height	1900 mm	1900 mm
Capacity	1 t	1 t
Tabletop	Rigid	It can be inclined 2° perpendicular to the direction of travel can be moved 20 mm longitudinally and transversely
Tabletop bores	2 rows each with 7 bores Ø 12	2 rows each with 7 bores Ø 12
Drive	Hydraulically-operated foot pump	Hydraulically-operated foot pump
Handle	Fixed, foldable	Fixed, foldable
Wheels	2 x 360° + 2 x fixed	4 x 360° (2 straight lockable)



KT100XT

KTO100

KTE200

1965 mm

1826 mm

1850 mm

1 t

1 t

2 t

It can be inclined 2° perpendicular to the direction of travel can be moved 20 mm longitudinally and transversely

It can be inclined 3.5° in the x/y direction
60:40 split + 100 mm extendable

Rigid with Drawer
Pull out shelf

2 rows each with 7 bores Ø 12

104 bores M10

2 rows with 7 bores Ø 12

Hydraulically-operated foot pump

Hydraulically-operated foot pump

Air hydraulic pump

Extendable

Fixed, foldable, removable

Fixed, removable, foldable

4 x 360° (2 straight lockable)

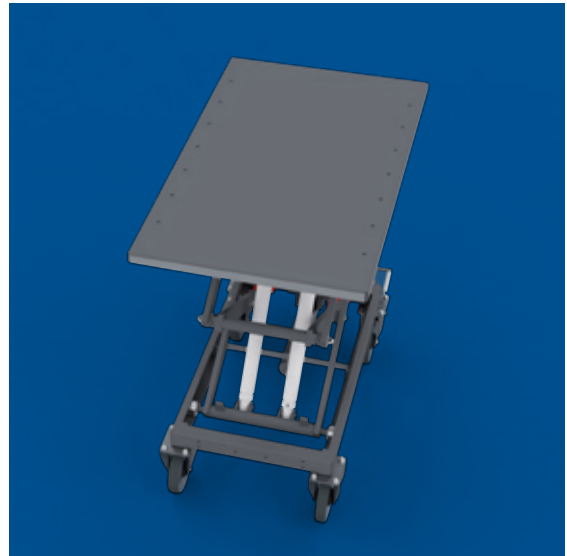
4 x 360° (2 straight lockable)

4 x 360° (2 straight lockable)



Tradition, experience and technological progress.

A combination that results in high-performance, reliable and practical products.



Braking tests.

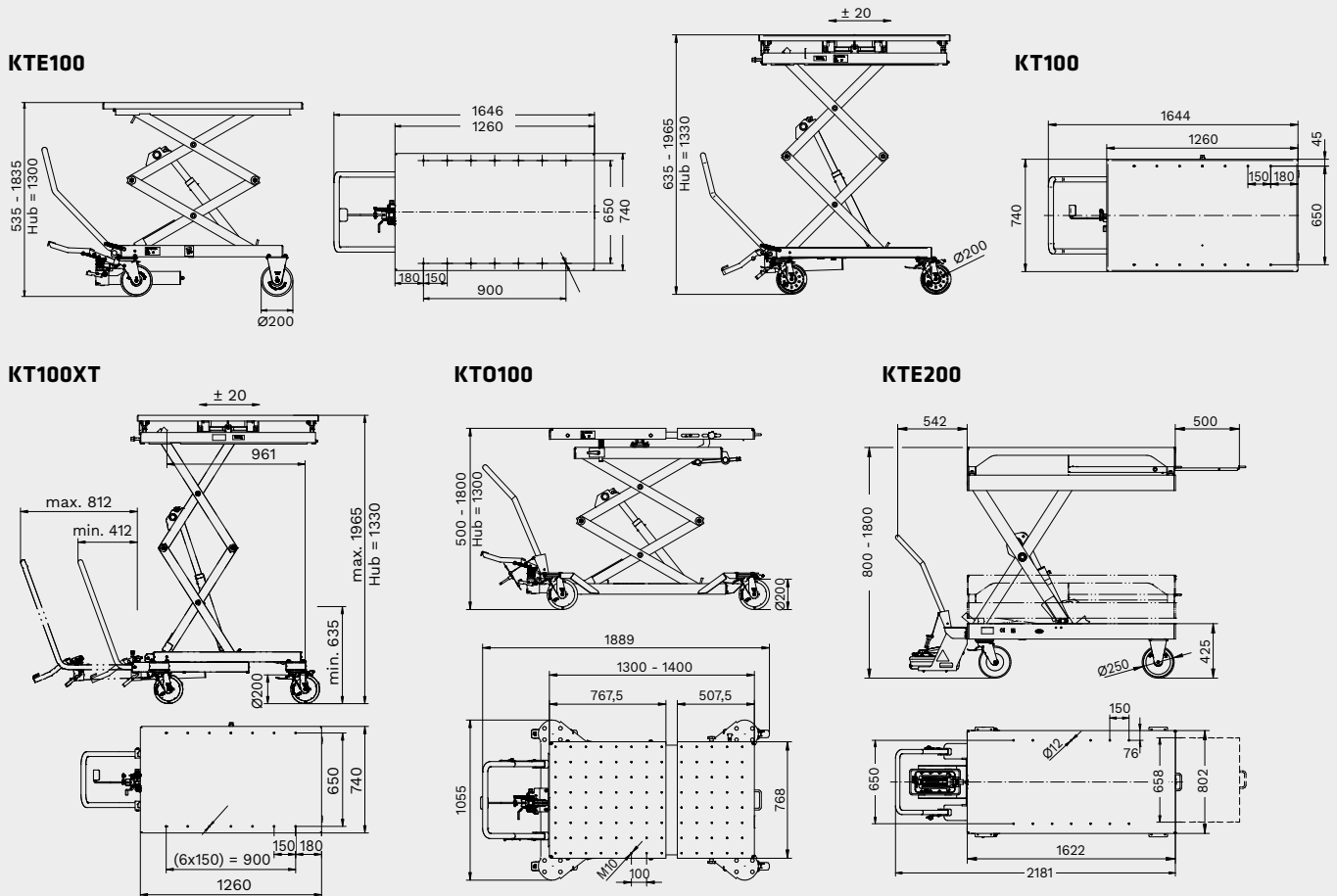
In combination with a lift, these lifting tables are used in particular for those vehicle components that, because of their design, can only be installed/removed from underneath the vehicle.



The lifting tables of the **KT series**, combined with the separately available accessories, make it easy to mount engines, gearboxes, high-voltage batteries and even entire drive units.



Technical data



	KTE100	KT100	KT100XT	KTO100	KTE200
Capacity	1000 kg	1000 kg	1000 kg	1000 kg	2000 kg
Stroke	1300 mm	1330 mm	1330 mm	1300 mm	1000 mm
Max. lifting height	1835 mm	1965 mm	1965 mm	1800 mm	1800 mm
Max. lifting length	1260 mm	1260 mm	1260 mm	1300 - 1400 mm	1622 mm
Max. width	740 mm	740 mm	740 mm	768 mm	800 mm
Min. height	535 mm	635 mm	635 mm	500 mm	800 mm
Surface coating	powder coated	powder coated	powder coated	powder coated	powder coated
Corrosion preventing	Ultra High Solid Primer (UHS)	Ultra High Solid Primer (UHS)	Ultra High Solid Primer (UHS)	Ultra High Solid Primer (UHS)	Ultra High Solid Primer (UHS)
Length	1646 mm	1644 mm	1672 - 2072 mm	1889 mm	2181 mm
Width	740 mm	740 mm	740 mm	1055 mm	802 mm
Weight	230 kg	230 kg	310 kg	360 kg	460 kg

Accessories

A wide range of accessories (available separately) makes the lifting table an indispensable and universally usable workshop tool.



3136
GA passenger car

Universally applicable for passenger cars. Particularly suitable for automatic transmissions. Tensioning strap to secure the load, large rubber supporting surface, load capacity 400 kg, Ø 35 mm pin, dimensions 300 x 240 mm (only applicable in combination with universal adapter, Item no. 103544).



103802
Aggregate plate with supporting arms

Particularly versatile aggregate plate for the removal and installation of engines, transmissions, axles, exhaust systems, etc. Extendable supporting arms with integrated threaded spindles and numerous support components allow easy adaptation to different mounting requirements.



107856
Universal aggregate support

Quick and safe removal & installation of the complete integral support frame, with all units in connection with the Master Gear series lifting tables. A tension strap, yellow-chromated is used to secure it.



103544
Universal support Ø 35 mm

Fitted with a bushing, a mounting hole Ø 35 mm suitable for holding various tools, such as the transmission plate GA passenger car.



RAV Italy

Ravaglioli S.p.A.

Via Primo Maggio 3
Pontecchio Marconi
40037 Sasso Marconi BO

☎ +39.051.6781511
☎ +39.051.846349
✉ rav@ravaglioli.com

RAV France

RAV France SARL

4, Rue Longue Raie
ZAC de la Tremblaie
91220 Le Plessis Pâté

☎ +331.60.86.88.16
☎ +33.1.60.86.82.04
✉ rav@ravfrance.fr

RAV Germany

BlitzRotary GmbH

Hüfingcr Straße 55
78199 Bräunlingen
Germany

☎ +49.771.9233.0
☎ +49.771.9233.99
✉ ravid@ravaglioli.com

RAV UK

Vehicle Service Group UK Ltd

3 Fourth Avenue,
Bluebridge Industrial Estate
Halstead, Essex, CO9 2SY, UK

☎ +44.1787.477711
☎ +44.1787.477720
✉ rav@ravaglioli.com

DRQ14U(03)

