

# CASCOS

LIFTING PROFESSIONALS

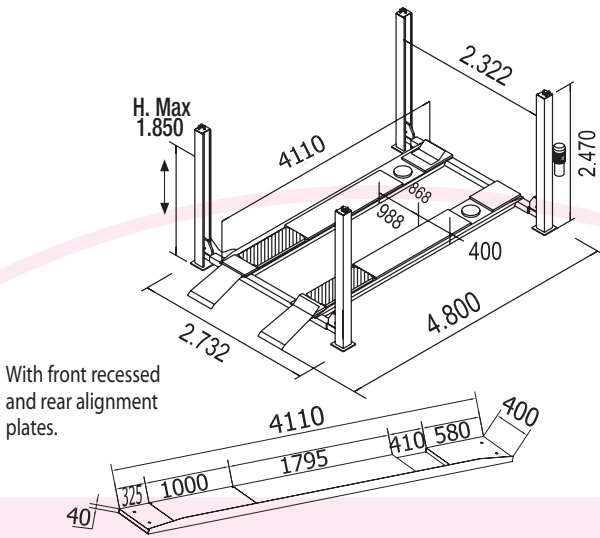


## 4 POST LIFTS

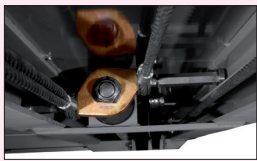


# C432

Type	Ref.	Min	kg			
Alignment platform	13337	180 mm	3.2Tn	820 Kg.	230-400V/3ph/50Hz/3kW 230V/1ph/50Hz/2,2kW	35"



With front recessed and rear alignment plates.

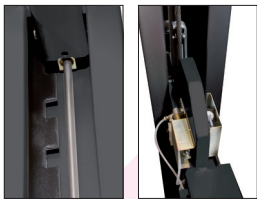


### Security indicator

**Indicator** that prevents a bad levelling, and ensures that the cylinder works within the best conditions assuring a **longer lasting life**.



**Hydraulic cylinders** produced and tested one by one in our factory. The cylinders count with the **security valves that detects any lack of oil**, closing the circuit and preventing the lift from the descending.

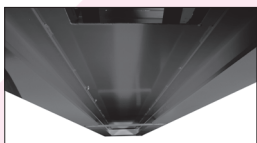


### Security x2

Double security system in each post :

- **Mechanical** (safety bars)
- **Pneumatic** (security ladders)

Ensures a better reliability than the electromagnetic security system.



### Our platforms are built with:

Reinforced super structure by double T steel beams for intensive use, keeping the platform flat/straight over the years.

### Minimal height

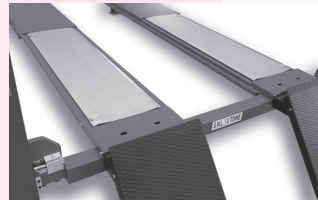
Our platforms descend almost to the ground level avoiding the use of bulky run-up ramps to allow sport cars to go in (and consequently, using less garage area).



**The lowest on the market!**

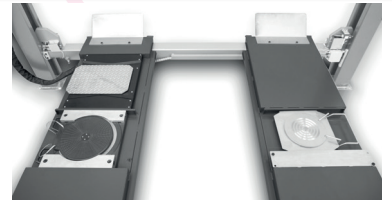
H. Min. 180 mm

### Alignment



Alignment plates with the new **sliding bearings system**:

- More comfortable and sensitive to alignment.
- Manual lock in the center of the platform.



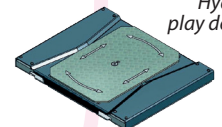
Recesses ready for alignment plates and / or turning plates 50 mm height. The lift includes **Steel spacers** for smaller turning plates.



Picture model C 442 (alignment)

### VERSIONS WITH PLAY DETECTOR INTEGRATED

Lift includes play detector listed on VOSA accepted equipment, securely integrated on the platform designed with recesses to integrate turning plates and fix them in line with VOSA requirements.



Hydraulic play detector

### Repairable during at least 10 years.

We ensure spare parts availability during at least this period.

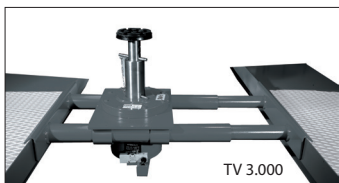


2006/42/CE & EN - 1493:2011  
European Directives & Approved Standards

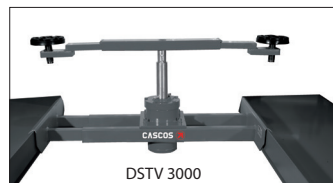


## OPTIONAL EQUIPMENT

### Pneumatic Jacks



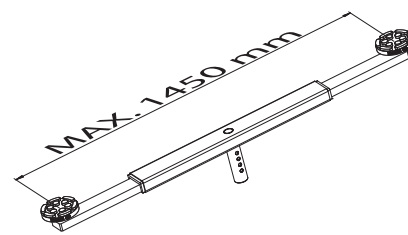
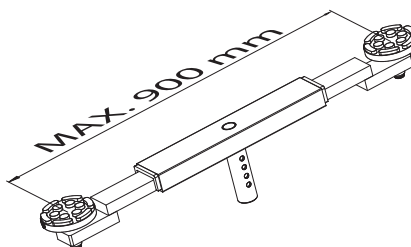
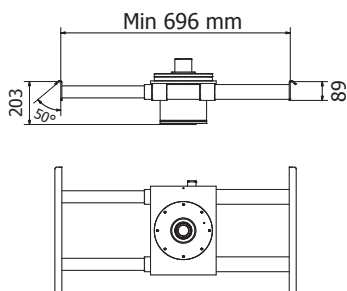
TV 3000



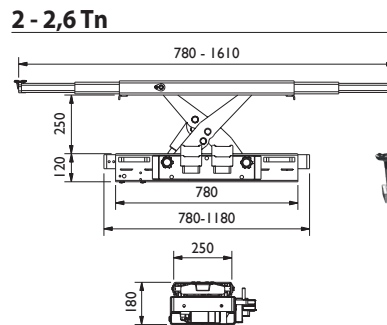
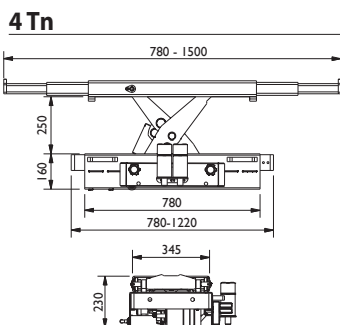
DSTV 3000

Double bracket

<b>Mod.</b>	TV 3000	DSTV 3000	DSTV 3000 AUDI
<b>Ref.:</b>	60.300	75.300	75.314
	3.000	3.000	3.000



### Oleopneumatic Jacks



Capacity	Without lip		With lip	
	Ref	Ref	Ref	Ref
2 Tn	50515		50514	
2,6 Tn	50517		50516	
4 Tn	50565		50552	

### Accesories

#### Magnetic lighting kit

LED 24 V  
Without installation

Ref.: 34053

#### Magnetic holder for tools

Ref.: 26141

#### Additional buttoning column opposite

Ref.: 32160  
32170

#### Magnetic air Kit

Ref.: 26177

#### Integrated power plug Assembled in factory

Ref.: 22164