

SOLLEVATORI OLEOPNEUMATICI

AIR HYDRAULIC JACKS

218/N
222/N
318/N



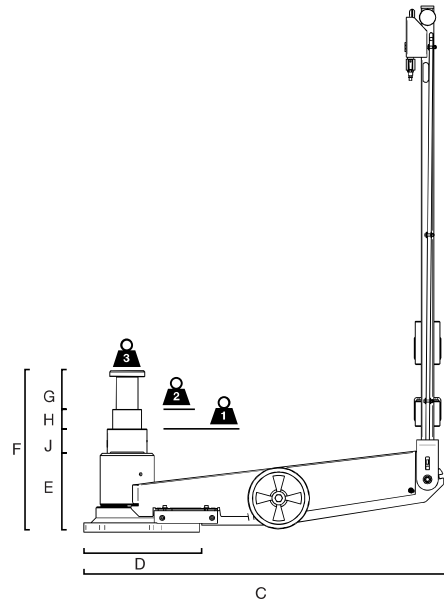
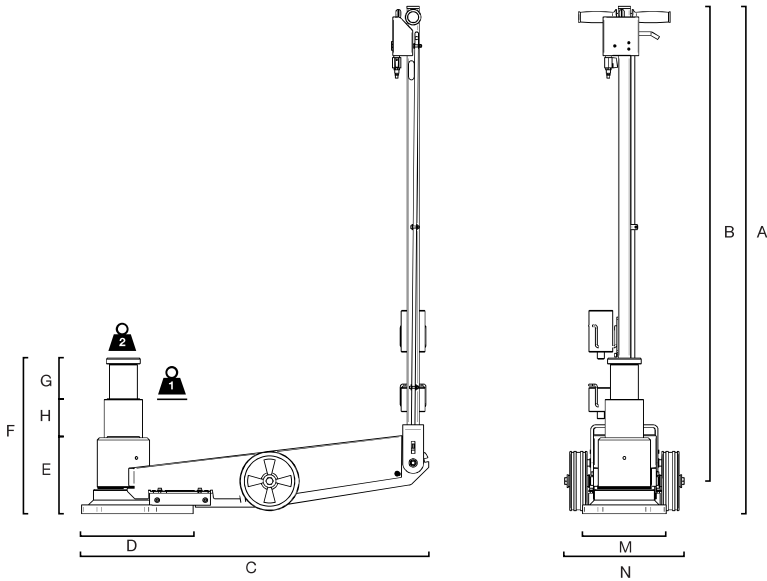
Sollevatore Oleopneumatico per mezzi pesanti, pratico ed efficace. Rientro automatico dei pistoni; le due valvole di discesa garantiscono una tenuta perfetta in ogni situazione e una velocità controllata sotto carico. Una gamma completa di sollevatori per tutte le esigenze di corsa e portata. Ideale per officine, gommisti e carrozzerie.

Air hydraulic jack for heavy vehicles, practical and effective. The pistons move back automatically; the two descent valves guarantee perfect holding in all situations and controlled speed under load. A complete range of jacks for all stroke and capacity requirements. Ideal for workshops, tyre repairers and bodywork shops.

	YAK 218/N	YAK 222/N	YAK 318/N
Portata Capacity	60/30 t 66/33 ton	60/30 t 66/33 ton	60/30/18 t 66/33/20 ton
Peso netto Net weight	68 kg 150 lb	65 kg 143 lb	63 kg 138 lb
Pressione di alimentazione Working air pressure	8-10 bar 116-145 psi	8-10 bar 116-145 psi	8-10 bar 116-145 psi
Consumo d'aria Air waste	600 nl/min	600 nl/min	600 nl/min

ACCESSORI INCLUSI INCLUDED ACCESSORIES

-  1x **A02354**
-  1x **A02406**
-  1x **A02410**
-  2x **A04676**



	YAK 218/N	YAK 222/N	YAK 318/N
A	1455 mm 57.28 in	1455 mm 57.28 in	1455 mm 57.28 in
B	1310 mm 51.57 in	1310 mm 51.57 in	1310 mm 51.57 in
C	1000 mm 39.37 in	1000 mm 39.37 in	1000 mm 39.37 in
D	320 mm 12.6 in	320 mm 12.6 in	320 mm 12.6 in
E	181 mm 7.13 in	221 mm 8.70 in	180,5 mm 7.11 in
F	337 mm 13.26 in	447 mm 17.59 in	415,5 mm 16.35 in
G	82 mm 3.23 in	117 mm 4.61 in	90 mm 3.54 in
H	74 mm 2.91 in	109 mm 4.29 in	69,5 mm 2,74 in
J			75 mm 2.95 in
M	240 mm 9.45 in	240 mm 9.45 in	240 mm 9.45 in
N	345 mm 13.58 in	345 mm 13.58 in	345 mm 13.58 in

	60 t 66 ton	60 t 66 ton	60 t 66 ton
	30 t 33 ton	30 t 33 ton	30 t 33 ton
			18 t 20 ton



	YAK218	YAK222	YAK318
	●	●	●
	●	●	●
	●	●	●
	●	●	●
	●	●	●
	●	●	●
	●	●	●
	●	●	●
	●	●	●
	●	●	●
	●	●	●
	●	●	●
	●	●	●
	●	●	●
	●	●	●
	●	●	●
	●	●	●
	●	●	●
	●	●	●
	●	●	●