

SOLLEVATORI IDRAULICI A CARRELLO

HYDRAULIC TROLLEY JACKS

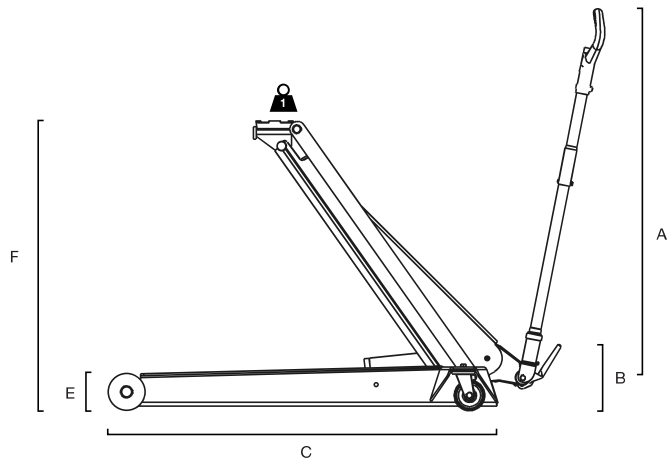
13/QL
20
20/Q
20/QL



Sollevatori idraulici manuali carrellati. L'azionamento manuale della pompa avviene attraverso il movimento del manico. Sui modelli "Q" è presente inoltre l'avvicinamento rapido a pedale. Leggeri e maneggevoli, ideali per gommisti, officine e carrozzerie.

Manual hydraulic trolley jacks. The pump is manually operated by handle movement. The pedal control on "Q" models is used for a quick approach. Lightweight and easy to handle, ideal for tyre repairers, workshops and bodywork shops.

	YAK 13/QL	YAK 20	YAK 20/Q	YAK 20/QL
Portata Capacity	1,3 t 1.4 ton	2 t 2.2 ton	2 t 2.2 ton	2 t 2.2 ton
Peso netto Net weight	38 kg 84 lb	31 kg 68 lb	31 kg 68 lb	49 kg 108 lb



	YAK 13/QL	YAK 20	YAK 20/Q	YAK 20/QL
A	950 mm 37.40 in	950 mm 37.40 in	950 mm 37.40 in	950 mm 37.40 in
B	160 mm 6.30 in	160 mm 6.30 in	160 mm 6.30 in	220 mm 8.66 in
C	940 mm 37.00 in	660 mm 25.98 in	660 mm 25.98 in	950 mm 37.40 in
E	80 mm 3.15 in	80 mm 3.15 in	80 mm 3.15 in	80 mm 3.15 in
F	735 mm 28.94 in	495 mm 16.49 in	495 mm 16.49 in	795 mm 31.3 in
	1,3 t 1.4 ton	2 t 2.2 ton	2 t 2.2 ton	2 t 2.2 ton



	YAK 13/QL	YAK 20	YAK 20/Q	YAK 20/QL
	•			
	•	•	•	•
	•	•	•	•
		•	•	•
		•	•	•
		•	•	•

SOLLEVATORI IDRAULICI A CARRELLO

HYDRAULIC TROLLEY JACKS

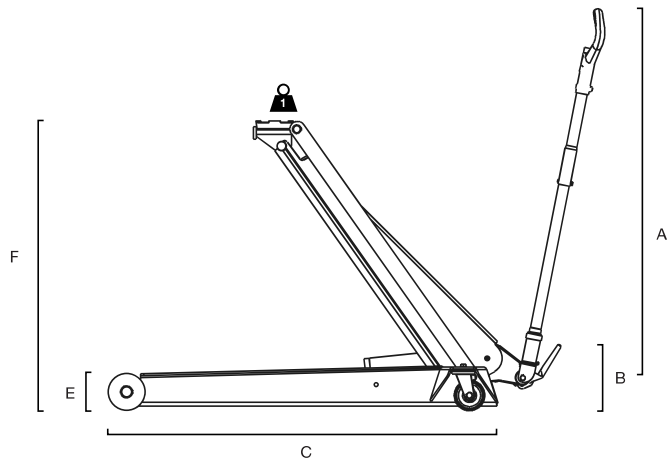
40/Q
50/QL
60/Q
100/Q



Sollevatori idraulici manuali carrellati. L'azionamento manuale della pompa avviene attraverso il movimento del manico. Sui modelli "Q" è presente inoltre l'avvicinamento rapido a pedale. Leggeri e maneggevoli, ideali per gommisti, officine e carrozzerie.

Manual hydraulic trolley jacks. The pump is manually operated by handle movement. The pedal control on "Q" models is used for a quick approach. Lightweight and easy to handle, ideal for tyre repairers, workshops and bodywork shops.

	YAK 40/Q	YAK 50/QL	YAK 60/Q	YAK 100/Q
Portata Capacity	4 t 4.4 ton	5 t 5.5 ton	6 t 6.6 ton	10 t 11 tonn
Peso netto Net weight	88 kg 194 lb	170 kg 375 lb	95 kg 209 lb	118 kg 260 lb



	YAK 40/Q	YAK 50/QL	YAK 60/Q	YAK 100/Q
A	950 mm 37.40 in	1200 mm 47.24 in	1200 mm 47.24 in	1200 mm 47.24 in
B	240 mm 9.45 in	265 mm 10.43 in	240 mm 9.45 in	260 mm 10.24 in
C	800 mm 31.5 in	1290 mm 50.79 in	800 mm 31.5 in	805 mm 31.69 in
E	140 mm 5.51 in	140 mm 5.51 in	140 mm 5.51 in	150 mm 5.91 in
F	600 mm 23.62 in	975 mm 38.29 in	600 mm 23.62 in	585 mm 23.03 in
	4 t 4.4 ton	5 t 5.5 ton	6 t 6.6 ton	10 t 11 ton



	YAK 40/Q	YAK 50/QL	YAK 60/Q	YAK 100/Q
	•			
	•	•	•	•
	•	•	•	•
	•	•	•	•
		•	•	•
			•	•
			•	•
	•	•	•	•
			•	•
			•	•
	•	•	•	•
				•