



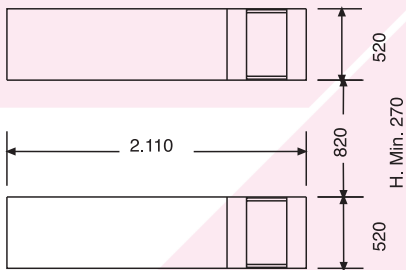
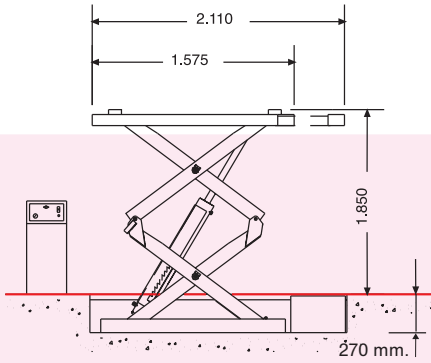
Ref.				
13165	3.600 Kg	875Kg.	3PH 230/400 - 3Kw 50Hz	6-8



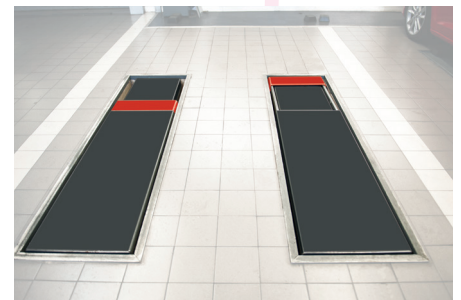
Reversible lift.



Recomendable run direction

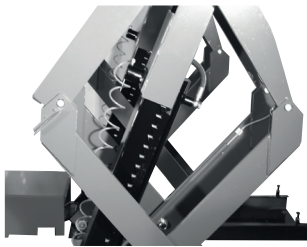


Maximum length with extensible.  
Very solid structure and base "solid profiles".  
Protected photocell integrated on the scissor.

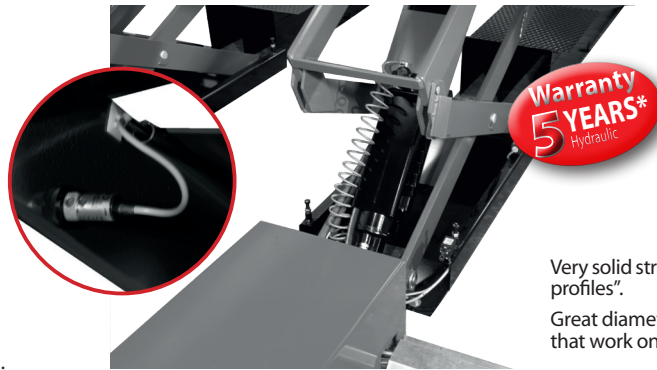


Ref. 13165

# DOUBLE SCISSORS LIFT DT3600E



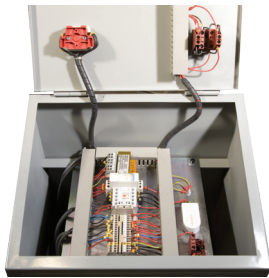
Pneumatic-mechanical and hydraulic securities.



Warranty  
**5 YEARS\***  
Hydraulic

Very solid structure and base "solid profiles".

Great diameter hydraulic cylinders that work on lower pressure.



Simplified and reliable electric system.



### Variator kit:

Transforms a 3Ph-380V lift into a **1Ph-220V**.  
The lift maintains its full lifting capacity.

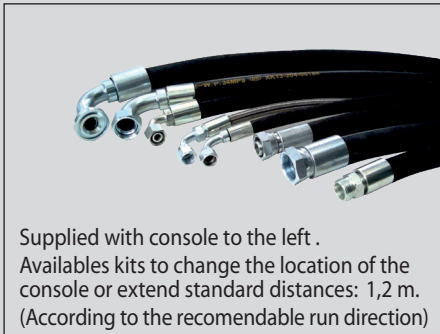


### Repairable during at least 10 years.

We ensure spare parts availability during at least this period.

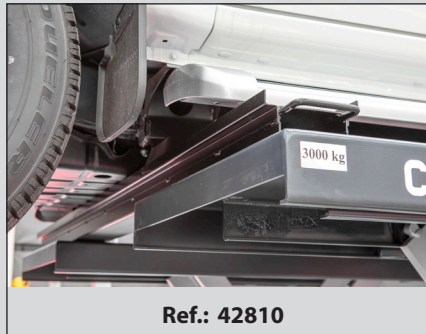
## Accessories

### Hose kit



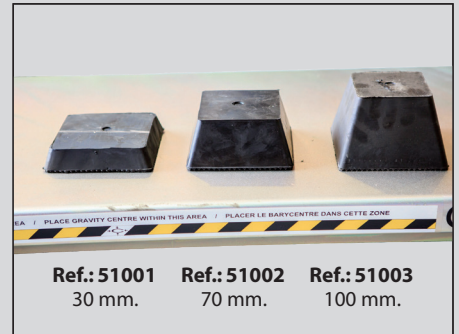
Supplied with console to the left.  
Available kits to change the location of the console or extend standard distances: 1,2 m.  
(According to the recommended run direction)

### 4 x 4 lifting bars



Ref.: 42810

### Rubber pads



Ref.: 51001  
30 mm.

Ref.: 51002  
70 mm.

Ref.: 51003  
100 mm.

### Magnetic holder for tools



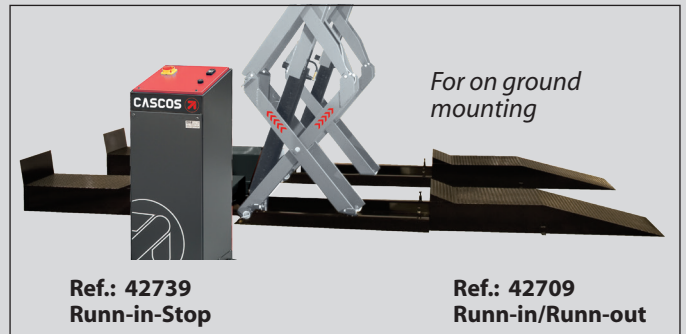
Ref.: 26141

### Magnetic air Kit



Ref.: 26177

### Ramps accessorie



Ref.: 42739  
Runn-in-Stop

For on ground mounting

Ref.: 42709  
Runn-in/Runn-out

www.cascos.es



# CASCOS

## CASCOS MAQUINARIA, S.A.

Zurrupitieta, 8 - Pol. Ind. Júndiz • Apartado 264  
01015 VITORIA-GASTEIZ / España/Spain  
Tel. +34 945 290 294 / Fax +34 945 290 055  
e-mail: info@cascos.es