



DOUBLE SCISSORS LIFT

EVO II

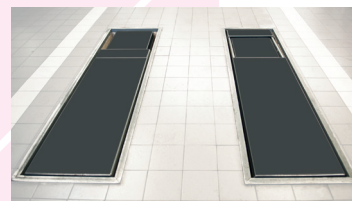
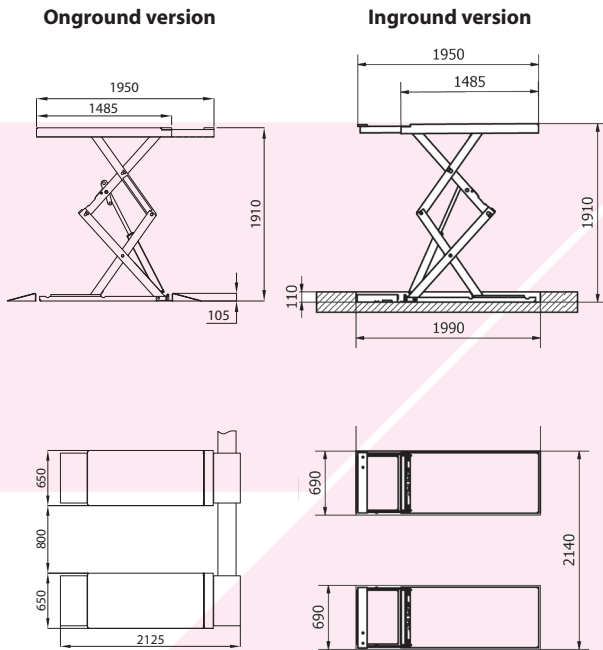
Onground or inground



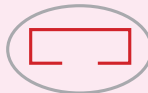
Model	Ref.	kg	kg	Min	
Onground version	13.164 + 44.730	3.000 Kg.	800 Kg.	105 mm.	230/400 V/50Hz / 3 ph
Inground version	13.164 + 44.731	3.000 Kg.	800 Kg.	—	230/400 V/50Hz / 3 ph



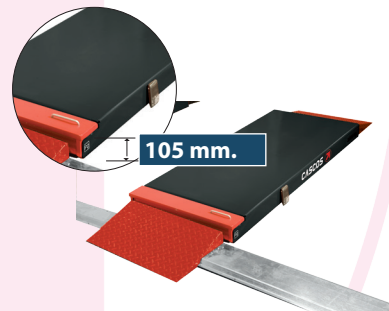
Recomendable run direction



Inground version.



Extendable sliding integrated on platform.



Onground version:
 Access ramps always fixed on the ground.



Refs.:
13164 + 44.730
13164 + 44.731

DOUBLE SCISSORS LIFT **EVO II**



Variator kit:

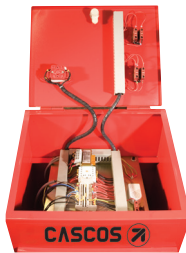
Transforms a 3Ph-380V lift into a **1Ph-220V**.
The lift maintains its full lifting capacity.



Double independent hydraulic system with 4 crossed cylinders: 2 masters and 2 slaves.

Double hydraulic security.
No need of compressed air.

Very solid structure and base
"solid profiles"



Simplified and reliable electric system.



Repairable during at least 10 years.

We ensure spare parts availability during at least this period.

Accessories

Hose kit



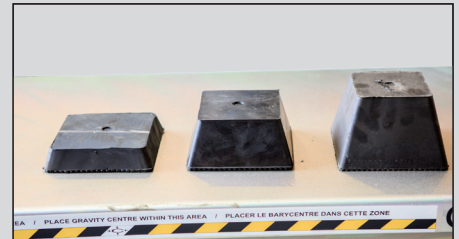
Supplied with console to the left.
Available kits to change the location of the console or extend standard distances: 2 m.
(According to the recommended run direction)

4 x 4 lifting bars



Ref.: 42810

Rubber pads



Ref.: 51001 30 mm. Ref.: 51002 70 mm. Ref.: 51003 100 mm.

Magnetic holder for tools



Ref.: 26141

Magnetic air Kit



Ref.: 26177

Access ramps for sport cars



Ref.: 44467

www.cascos.es



CASCOS

CASCOS MAQUINARIA, S.A.

Zurrupitieta, 8 - Pol. Ind. Júndiz • Apartado 264
01015 VITORIA-GASTEIZ / España/Spain
Tel. +34 945 290 294 / Fax +34 945 290 055
e-mail: info@cascos.es