

HYDRAULIC 2-POST LIFT

POWER LIFT HF

FAST. SAFE. COMFORTABLE

WITH *PATENTED*
HyperFlow®
technologie



THE COMFORTABLE 2-POST LIFT

- ✓ Safety and synchronisation through automatic safety lock plus master-slave system
- ✓ Very low maintenance: no synchronization cables, no pulleys
- ✓ Parking position for comfortable working
- ✓ Nussbaum's hydraulic synchronisation control HyperFlow®

3000 KG | 3500 KG | 4000 KG



HYDRAULIC 2-POST LIFT

POWER LIFT HF

Safety and Performance

Fastest lifting and lowering times, redundant safety, high productivity, intelligent features and life cycles up to 30 years: It is not without reason that Nussbaum lifts are among the world's leading equipment in automotive workshops. The POWER LIFT HF is the perfect combination of premium hydraulics and mechanical safety. Equipped with the patented HyperFlow® technology and a mechanical safety lock, the POWER LIFT HF guarantees perfect synchronism at all times.

Thoughtful design

- ✓ No floor connections
- ✓ No fixed connection between the columns: adjustable width (+ 200 mm) and height, flexible riser pipe extension from +200 up to + 900 mm optionally available
- ✓ Compressed air and power connection (220 V) integrated in column
- ✓ The column height can be adjusted during installation with the optional riser pipe extension.

Precise control

- ✓ No lifting before lowering necessary
- ✓ Individually adjustable parking position



VARIABLE HEIGHT

Minimal height of only 4040 mm, up to 4904 mm with optional column extension

POWER LIFT HF: different versions suited to your needs

All versions delivered with asymmetric arms for optimum door clearance

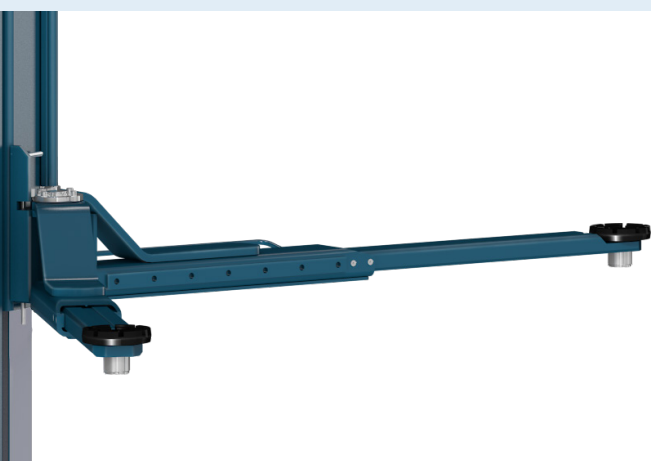
- **DT (3 stage arms)**: The short arm has 3 stages, enabling to pick up cars with outer pick-up points (3000 and 3500 kg)
- **Universal (3 stage arms)**: The HF 4000 features 3 stage arms that can reach all pick-up points. From Mercedes SMART to transporters with long wheel base at alternative pick up points (4000 kg)
- **MM (Mini-Max Lifting Arms)**: Ideal for deep drawn side skirt or off-road vehicles.
- **SC (Sports car arms)**: Extremely flat construction. Made of solid steel. Especially suitable for very low and wide sports cars (3500 kg)



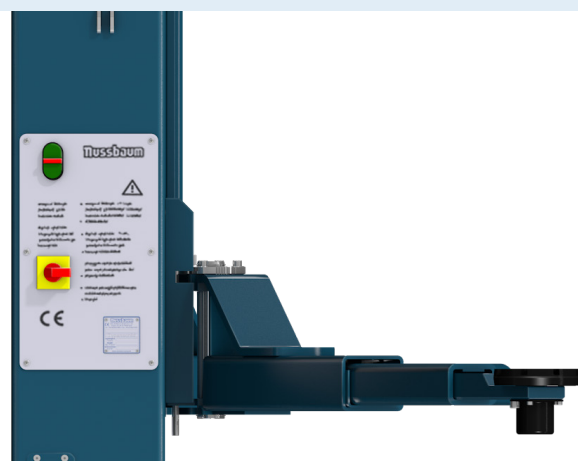
POWER LIFT HF: YOUR BEST PARTNER TO LIFT ALMOST EVERY VEHICLE

SAFE, ROBUST, HF

- Simple assembly
- Low electricity consumption
- Very good price-performance ratio
- **HyperFlow® technology**: Automatic purging of the hydraulic system in the highest position, automatic synchronization of the arms
- Less moving parts, less maintenance



SC (Sports car arms): extremely flat construction. Very sturdy, made of solid material. Especially suitable for very low and wide sports cars.



Pushbutton control: Optionally also available with two-sided operation



Mini Max lifting arms : easy and convenient to lift off-road vehicles as well as low clearance vehicles



MEASURED FOR SUCCESS

POWER LIFT HF	3000	3500	4000
Lifting capacity (kg)	3000	3500	4000
Lifting/lowering time approx. (sec)	40/35	42/35	44/35
Lifting height (mm)	1995	2005	2050
Lowest lifting point (mm) Version DT	95-140	95-140	-
Version MINI-MAX	75-185	75-185	75-185
Version Universal	-	-	115-190
Version SC	-	81-120	-
Total height column (mm)	4040*	4040	4040*
Total height with riser pipe (mm)	4104-4904	4104-4904	4104-4909
Recommended total width (mm) Version DT	3100	3230	-
Version MINI-MAX	3300	3350	3350
Version Universal	-	-	3350
Column distance (mm) Version DT	2560	2646	-
Version MINI-MAX	2760	2846	-
Version Universal	-	-	2766
Arm-extraction long (mm) Version DT	940-1495	940-1495	-
Version MINI-MAX	1000-1480	1000-1480	1130-1840-
Version Universal	-	-	1130-1840
Version BMW	-	940-1495	-
Version SC	-	840-1380	-
Arm-extraction short (mm) Version DT	480-870	570-1160	-
Version MINI-MAX	600-980	600-900	635-1065
Version Universal	-	-	570-1160
Version BMW	-	505-823	-
Version SC	-	590-865	-
Power supply (V/Hz/A)	400/50/16	400/50/16	400/50/16

* Version RH with reduced column height of 3800 mm available

DT: 3 stage arms
SC: Extra low "sports car" arms (81 mm clearance)

ACCESSORIES



Height adapter 44 mm



Height adapter 155-245 mm



U-form adapter 150-233 mm



Lashing straps (2 units)



Drive-on plates (4 units)

More accessories available