

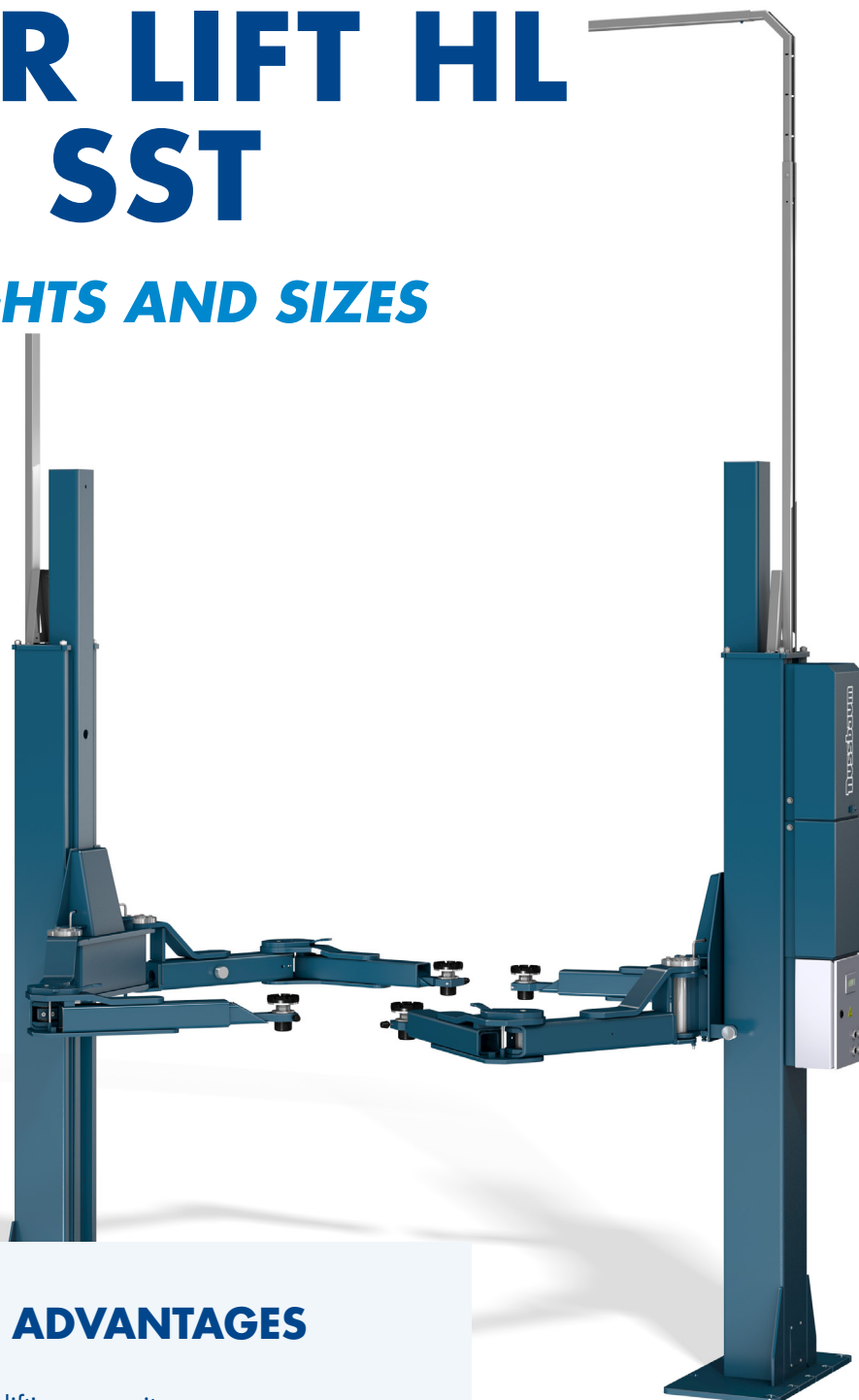


HYDRAULIC 2-POST LIFT

POWER LIFT HL & HDL SST

FOR ALL WEIGHTS AND SIZES

WITH
TECHNOLOGY



A WIDE RANGE OF ADVANTAGES

- ✓ Double-jointed arms for a wide lifting capacity range
- ✓ Security and synchronization with the SST system by NUSSBAUM
- ✓ No overhead or ground connections

Pictured
HL 6000 SST DG

6000 KG | 6500 KG | 7000 KG | 8000 KG

RECOMMENDED BY
MERCEDES BENZ*

HYDRAULIC 2-POST LIFT

POWER LIFT HL & HDL SST

The POWER LIFT HL SST & HDL SST feature NUSSBAUM's patented SST technology: SST ensures mechanical safety in any lifting height without the need for a safety lock. With its double-jointed arms and high lifting capacity (from 6 to 8 tons), it covers a wide lifting range from small cars to transporters.

Unique construction with double-jointed arms

- ✓ Lifts all vehicles from short wheelbase cars to long wheelbase transporters
- ✓ All required pick-up points from car manufacturers can be reached safely

VERSIONS

• HL 6000 SST capacity of 6 tons

- ✓ 1 control unit
Optional 2nd control unit available
- ✓ Double-jointed (DG) arms
- ✓ OR symmetric double-telescopic arms

• HDL SST capacity of 6, 5 tons, 7 tons or 8 tons

- ✓ 1 power and 1 control units on each column for greater comfort, power and safety
- ✓ Double-jointed arms (DG)
Roller-bearred for comfortable movement, with pneumatic locking system for optimum safety



LOW MAINTENANCE & HIGH SAFETY WITH SST

Low maintenance

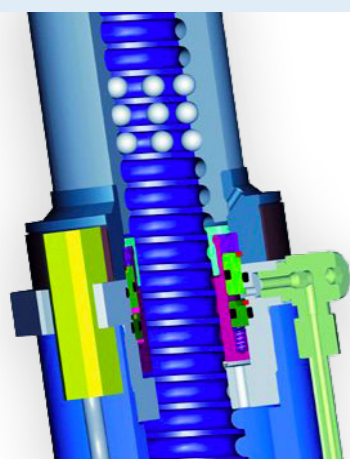
Almost wear-free hydraulic cylinders, no synchronization cables and no safety lock needed

High safety

Electronic synchronization to the tenth of the millimetre. **Mechanical locking at every height when the lift stops:** A ball bearing lock fits into the cylinder and mechanically locks the lift at every height.



POWER LIFT HL SST & HDL SST: DETAILS THAT MAKE A DIFFERENCE



SST stands for SAFETY STAR TECHNOLOGY, a patented NUSSBAUM-technology regulating and monitoring the synchronization of both lift columns to the tenth of a millimeter



The HDL 6500, HDL 7000 and HDL 8000 offer 2 control units, one on each side



Double-jointed arms (DG): flexible and user friendly, reaching 100% of pick-up points

YOUR MAIN ADVANTAGES

- Adapted for a wide range of vehicles and jobs
- Comfortable handling and safe locking mechanism of double-jointed arms due to pneumatic support (for HDL)
- Patented safety with the SST system by NUSSBAUM



CHOOSE YOUR HL & HDL SST

HL SST / HDL SST	HL 2.60 SST	HDL 6500 SST DG	HDL 7000 SST DG	HDL 8000 SST DG	
Lifting capacity (kg)	6000	6500	7000	8000	
Lifting / lowering time approx. (sec)	65/65	70/55	70/55	70/55	
Lifting height (mm)	2015	2150	2150	2150	
Lowest lifting point (mm)	140-215	170-245	170-245	170-245	
Total height (mm)	4674-5124*	3035	3035	3035	
Total width (mm)	4210	3570 (4370)	3570 (4370)	3570 (4370)	
Drive-through width (mm)	2510	2376/2350	2376/2350	2376/2350	
Distance between columns (mm)	2810	2766/2780	2766/2780	2766/2780	
Arm extraction (mm)	1789/1834	-	-	-	
	Version DG	0-1890	0-1789	0-1789	0-1834
Power supply (V/Hz)	400/50/16	400/50/16	400/50/16	400/50/16	
Motor (kW)	1,5	2 x 1,5	2 x 1,5	2 x 1,5	

* Column height HL 2.60 SST DG: 2736 mm, Variable total height: 4764-5124 mm

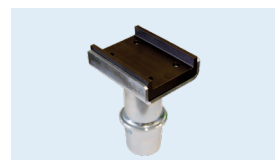
ACCESSORIES



Height adapter round



Adapter for Mercedes Sprinter



Height adapter U-form



Lashing straps (2 units)



Drill holder



Drive-on tables (4 units)

**More accessories
available**