



# Ravaglioli

COMPANY WITH  
QUALITY SYSTEM  
CERTIFIED BY DNV GL  
= ISO 9001 =

## AUTOMATIC TIRE CHANGER

**G5440.22 (380V/3ph/50Hz)**  
**G5440.22M (220V/1ph/50Hz)**

Automatic tyre changer suitable for car  
and motorcycle wheels.

Maximum diameter 1000 mm / 39".  
Maximum width 340 mm / 13".

### FEATURES

- Tilting vertical arm
- Operating arm with pneumatic locking
- Air operated bead beaker
- Oversized body
- Extractable pedal unit



G

5440.22

5440I.22

5140.22

5140IH.22



**G 5440I.22M (220V/1ph/50Hz)**

**G 5440I.22U (110V/1ph/60Hz)**

Version with bead-seater (tubeless inflator).



G5440.22M + PLUS73 Helper



## SWING ARM TIRE CHANGER



G5140.22



### G5140.22M (220V/1ph/50Hz)

Semi-automatic tyre changer suitable for car and motorcycle wheels.

Maximum diameter 1000 mm / 39".

Maximum width 340 mm / 13".

#### FEATURES

- Swing arm
- Operating arm manual locking
- Air operated bead beaker
- Oversized body
- Extractable pedal unit

### G 5140IH.22M (220V/1ph/50Hz)

### G 5140IH.22U (110V/1ph/60Hz)

Version with bead-seater (tubeless inflator).

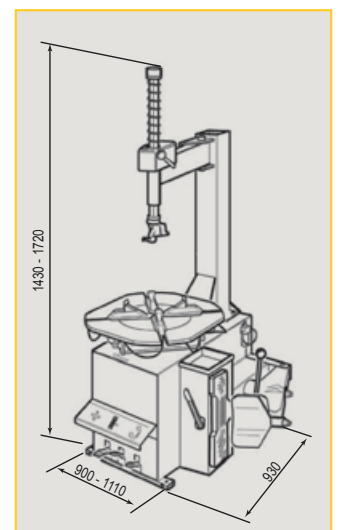
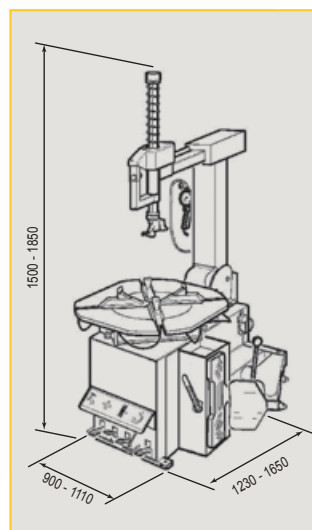
Higher column allows to work on larger tyres.

#### STANDARD

- Tire inflator
- Clamps protections (kit of 4)
- Tool protection
- Bead lever
- Brush



SPECIFICATION	
Inner clamping	13"-23" (settable to 12"-22" or 14"-24")
Outer clamping	11"-21" (settable to 10"-20" or 12"-22")
Max. wheel diameter	1000 mm (39")
Max. wheel width	340 mm (13")
Bead-breaker cylinder force at 10 bar	3000 kg
Operating pressure	10 bar (140 psi)
Motor power	0,55 Kw (3 phase) 0,75 Kw (1 phase)
Max. inflating pressure	1200 Nm
Recommended air supply	3,5 bar (50 psi)
Packing dimension	970L x 760W x 940H mm
Gross weight	233 kg (G5440) 213 kg (G5140)



A DOVER COMPANY

#### Ravaglioli S.p.A.

via 1° maggio 3  
 Fraz. Pontecchio M.  
 40037 Sasso Marconi (Bo) - Italia  
 Tel. +39 - 051 - 6781511  
 Fax +39 - 051 - 846349  
 rav@ravaglioli.com  
 www.ravaglioli.com

#### RAV France

4, Rue Longue Raie  
 ZAC de la Tremblaie  
 91220 Le Plessis Pâté  
 Tel. 01.60.86.88.16  
 Fax 01.60.86.82.04  
 rav@ravfrance.fr

#### Ravaglioli Deutschland

Kirchenpoint 22  
 85354 Freising  
 Tel. 08165-646956  
 Fax 08165-646958  
 ravid@ravaglioli.com

#### RAV Equipment UK LTD

Prince Albert House  
 20 King Street  
 Maidenhead, SL6 1DT  
 Tel. +39 - 0516781522  
 rav@ravaglioli.com

#### RAV en Belgique

Nederlandstalig  
 Tel. 0498-162016  
 Fax 016-781025  
 Zone Francophone  
 Tel. 0498-163016  
 Fax +32 78 055 030

#### RAV Equipos España S.L.U.

Avenida Europa 17  
 Pol. Ind. de Constanti  
 Tarragona 43120  
 Tel. 977 524525  
 Fax 977 524532  
 ravequipos@ravaglioli.e.telefonica.net

