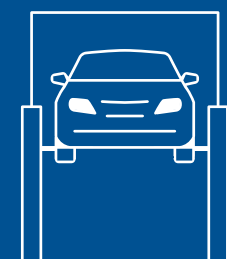


**2-POST LIFTS**  
Electromechanical

# From History to the Future



 **Ravaglioli**

**LEGEND SERIES**  
**KPS32-KPC32**



## **Modern design:**

clean and linear column profile with internal carriage

## **Innovative DNA:**

long-lasting high-quality components and tested for 20000 cycles

## **Space optimisation:**

ultimate ergonomics thanks to the electronic foot guard

Emerging from the best selling 2-post lifts, the **Legend Series** consolidates the **engineering knowledge** of Ravaglioli and shapes it into an **innovative package**. **Looking towards the future while always honouring the past**, Ravaglioli has set an important goal for itself - let the performance meet the design.

**Electronic synchronization.**

**Short 3-stage arms and long 2-stage arms with quick fit telescopic rubber pad.**



Model KPS32

**Wide rubber protected areas.**

Internal carriages running on **lubricated sliding guides**, protected from the external environment, that ensures a longer life to the sliding elements.

The new column geometry allows for quick **replacement of the nut.**



**The geometry of the arms** was designed to lift anything from city to long-wheelbase cars.

**Equipped with an acoustic anti toe trap system.** Free from mechanical foot guards.



Model KPC32

## Premium quality of components.



Aluminum pulley with cooling function.



Long lasting bearings.



50% longer, bronze load nut.



Motors with reinforced and cooling casing.



Solid automatic arm locking.



## KPS32

Load-bearing base: installation also possible on floors having levelness problems or insufficient capacity parameters and cement thickness.

(\*Please refer to the manual for installation requirements.)

Lowered load-bearing platform: H 50 mm.

## KPC32

Base with smaller size that reduces the work area space.

A set with two plates allows lifts to be installed even on a quality of concrete lower than required.

Capacity



# 3.2

## Minimum routine maintenance.

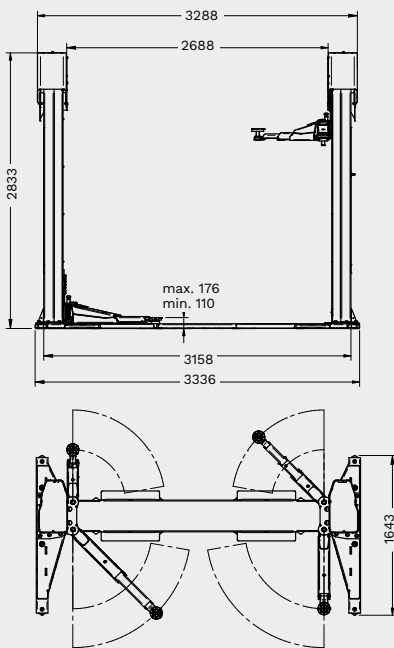
The operating parts require little time for easy replacement or maintenance reducing the risk of error on safety elements.

## Guaranteed safety and quality over the time.

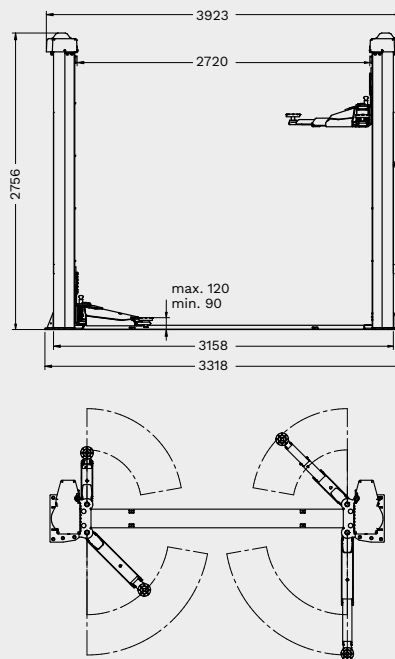
The lift is equipped with premium components that guarantee durability and maximum safety for the operator.

# Technical Data

**KPS**



**KPC**



	<b>KPS32</b>	<b>KPC32</b>
<b>Capacity</b>	3200 kg	3200 kg
<b>Max. lifting height</b>	1883 mm	1883 mm
<b>Lifting time</b>	42 s	42 s
<b>Min. pad height</b>	110 mm	90 mm
<b>Max. pad height</b>	176 mm	120 mm
<b>Column height</b>	2833 mm	2756 mm
<b>Drive-through width</b>	2468 mm	2468 mm
<b>Min. ceiling height</b>	4050 mm	4050 mm
<b>Arm layout</b>	asymmetric	asymmetric
<b>Min. front arm length</b>	541 mm	511 mm
<b>Max. front arm length</b>	950 mm	914 mm
<b>Min. rear arm length</b>	815 mm	805 mm
<b>Max. rear arm length</b>	1215 mm	1203 mm
<b>Width</b>	3336 mm	3318 mm
<b>Height</b>	2833 mm	2756 mm

	<b>Item no.</b>	<b>Base</b>	<b>Control</b>	<b>Teq-Link</b>	<b>Power supply</b>
<b>KPS32</b>	RAV.KPS32.198686	load-bearing	push buttons	✓	400 V   50 Hz
<b>KPC32</b>	RAV.KPC32.198709	space-saving	rotating switch		400 V   50 Hz

# Accessories



**VSG.2CALL.901071**  
Kit containing 8 spacers for pads  
4 spacers x H 89 mm + 4 spacers x H 127 mm, 2 spacer support brackets



**VSG.2CALL.901248**  
Kit containing 4 spacers for pads  
4 spacers x H 200 mm, 2 spacer support brackets



**VSG.2CALL.901163**  
Kit with frame engaging adapters  
1 set with 4 pieces



**VSG.2CALL.901330**  
Kit with U-shaped frame engaging adapters  
1 set with 4 pads



**VSG.2CALL.901538**  
Kit with pads for TESLA vehicles  
1 set with 4 pads



**VSG.2CALL.901859**  
Mercedes G class support pads kit  
1 set of 4 pads



**VSG.2CALL.902023**  
Kit with pads for Fiat 500E, 500 ABARTH  
1 set with 4 pads



**VSG.2CALL.902146**  
Kit with pads for MEB platform  
1 set with 4 pads



**VSG.2CELM.901927**  
Eyebolt for handling columns (3.2 t - 3.5 t - 4.2 t)  
It facilitates installation of the lift, can be used again for other installations



**VSG.2CELM.902498**  
Inground cable connection kit  
Allows columns connection cables to be placed inground, eliminating the overhead connecting pipes and height restrictions. Ideal for workshops with low ceilings (only for model KPC32)



**VSG.2CALL.902818**  
Vehicles lift platforms kit  
1 set with 4 ramps, ramp height 60 mm



**VSG.2CALL.902085**  
Kit of stands for alignment  
1 set with 4 stands



**VSG.2CALL.902641**  
Magnetic tray  
1 set with 2 trays



**VSG.2CALL.902511**  
Holder for impact wrench  
Ergonomic tool support



### **RAV Italy**

Vehicle Service Group Italy S.r.l.

Via Filippo Brunelleschi 9  
44020 Ostellato (FE)  
Italy

☎ +39.051.6781511  
☎ +39.051.846349  
✉ rav@ravaglioli.com

### **RAV France**

RAV France SARL

4, Rue De Longue Raie  
ZAC de la Tremblaie  
91220 Le Plessis Pâté  
France

☎ +331.60.86.88.16  
☎ +331.60.86.82.04  
✉ rav@ravfrance.fr

### **RAV Germany**

BlitzRotary GmbH

Hüfingener Straße 55  
78199 Bräunlingen  
Germany

☎ +49.771.9233.0  
☎ +49.771.9233.99  
✉ ravid@ravaglioli.com

### **RAV UK**

Vehicle Service Group UK Ltd

3 Fourth Avenue,  
Bluebridge Industrial Estate  
Halstead, Essex, CO9 2SY  
United Kingdom

☎ +44.1787.477711  
☎ +44.1787.477720  
✉ rav@ravaglioli.com

DRD43U(01)

