

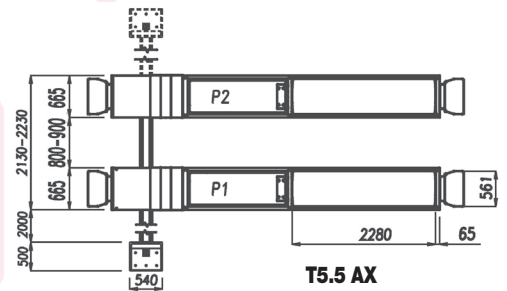
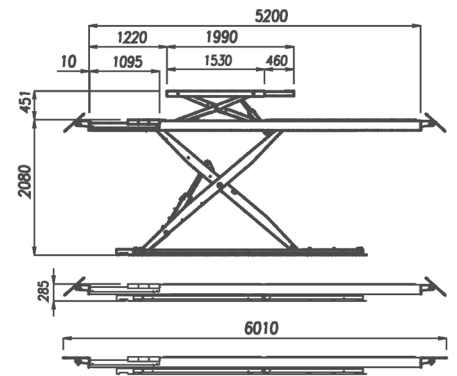


T5.5A

Ref.				
140225	5.500 Kg	2.660-2.760Kg.	3PH 400/230V- 3Kw 50Hz 1PH 230V-2,2Kw 50 Hz	—



5200 mm x 660 mm x 285 mm



T5.5 AX



Ref. 14987F
Inground
version.



T4: Ref. 14950C
T5.5: Ref. 14950C + 14970F

Onground lift with surface
ramps.



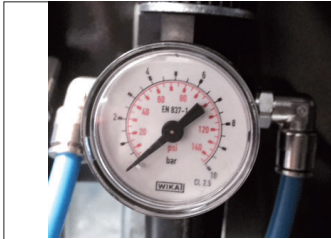
Lift and built in lifting table with double hydraulic circuit
(2 masters + 2 slaves). Hydraulic security .



Extending lift table.



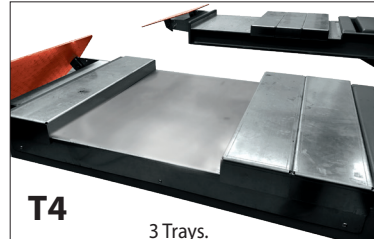
New automatic system searching perfect levelling in each tooth.(A - AX - AXP)



Includes manual descend pump, regulator of the pneumatic pressure and water filter separator.



Very solid structure and base "solid profiles".



T4
3 Trays.

Mobile front recess through regulating trays.



Includes sliding guide for Jacking Beams.



Pneumatic blocking system of alignment turn tables for easier handling.



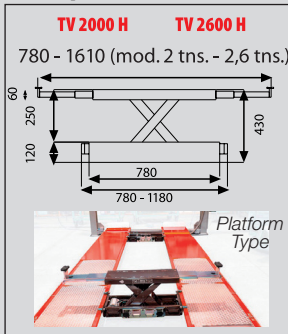
Reinforce base of the lift -150 kg.- equipped with **16 regulation points.**



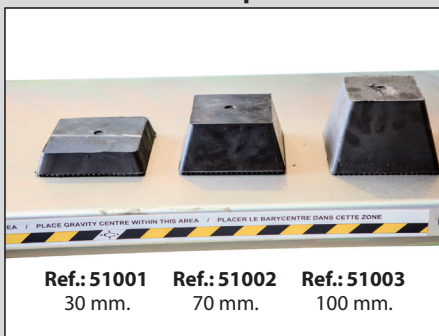
Repairable during at least 10 years.
We ensure spare parts availability during at least this period.

Accessories

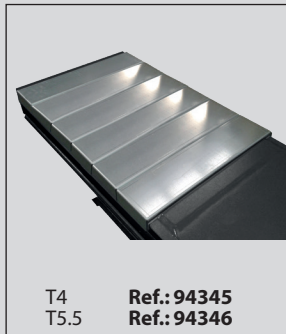
Oleopneumatic Jacks



Rubber pads



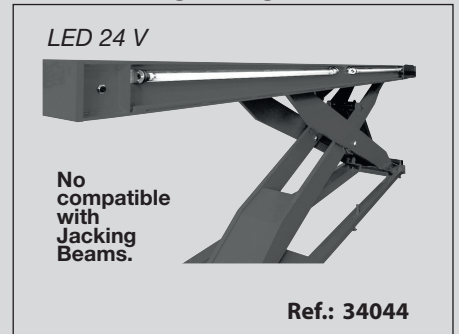
Recess infills kit



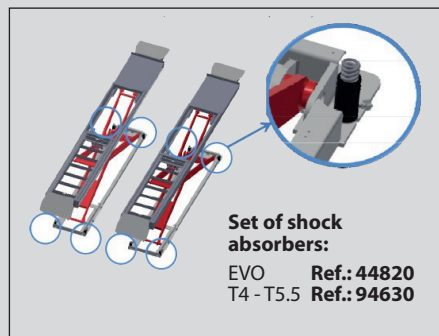
Extension ramp



Lightning kit



Set of shock absorbers



Hose kit

