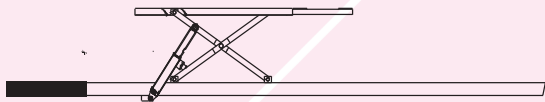
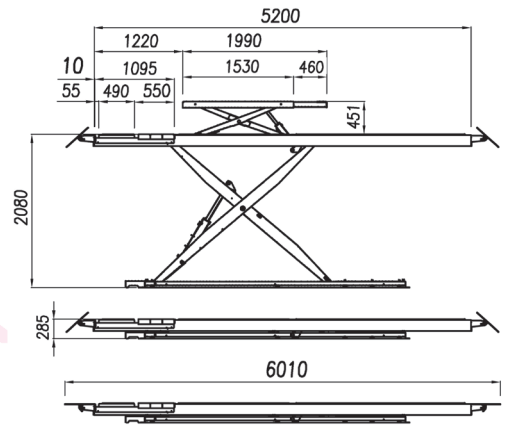


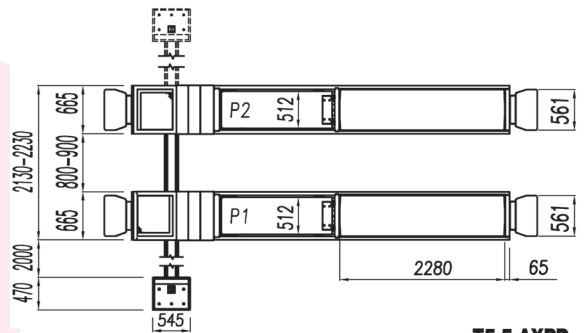


T5.5LXPD

Ref.				
140227	5.500 Kg	2.700-3.100Kg.	3PH 400/230V- 3Kw 50Hz 1PH 230V-2,2Kw 50 Hz	3,5Tn



5200 mm x 660 mm x 285 mm



T5.5 AXPD



Ref. 14987F
Inground
version.

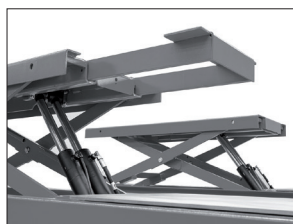


T4: Ref. 14950C
T5.5: Ref. 14950C + 14970F

Onground lift with surface
ramps.



Lift and built in lifting table with double hydraulic circuit
(2 masters + 2 slaves). Hydraulic security .



Extending lift table.



Four movements **hydraulic play detectors** available in model T5.

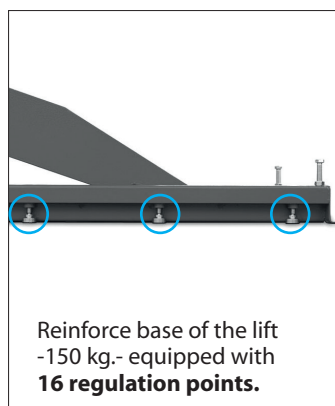
Repairable during at least 10 years.
We ensure spare parts availability during at least this period.



Includes manual descend pump, regulator of the pneumatic pressure and water filter separator.



Very solid structure and base "solid profiles".



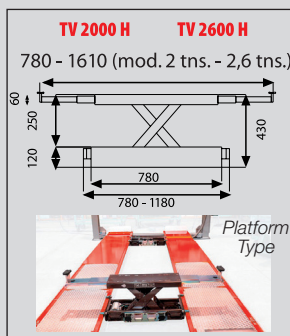
Reinforce base of the lift -150 kg.- equipped with **16 regulation points.**



Includes sliding guide for Jacking Beams.

Accessories

Oleopneumatic Jacks



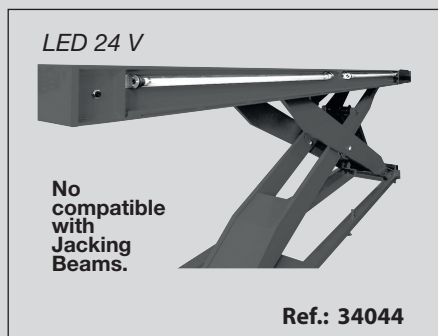
Recess infills kit



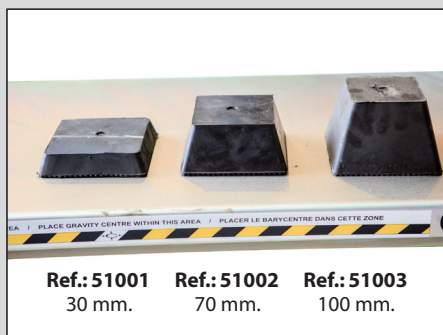
Extension ramp



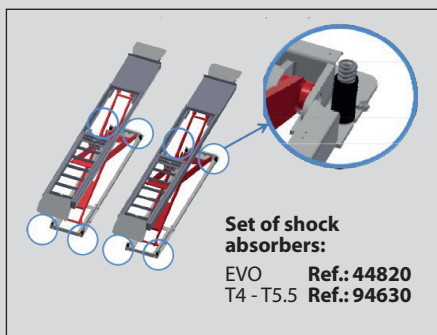
Lightning kit



Rubber pads



Set of shock absorbers



Hose kit

