

C-LINE

TITAN

XC 2040T E - XC 2036T E



Electrohydraulic underbody scissors type lift,
for tyre specialists, car workshops, and body repairers



Description



Electrohydraulic underbody scissors type lift, for tyre specialists, car workshops, and body repairers.

Runboards alignment by **MASTER/SLAVE system**.

Runboard available with extensions only. **Configuration for flush installation.**



Runway with pull-out extension.



Generously sized, self-lubricating sliding blocks.



Special lift linkage, for lifting loads even from the lowest lift height.



Strong support of cylinder and removable connections on base and runway for simpler maintenance.

Technical data

TITAN	TITAN XC 2040T E	TITAN XC 2036T E
Lift capacity	4000 kg	3600 kg
Lifting time	45 s	45 s
Motor	400/230V-3kW-3ph-50 Hz	400/230V-3kW-3ph-50 Hz
Lift max. lifting height	2020 mm	2020 mm
Lift minimum height	290 mm	270 mm

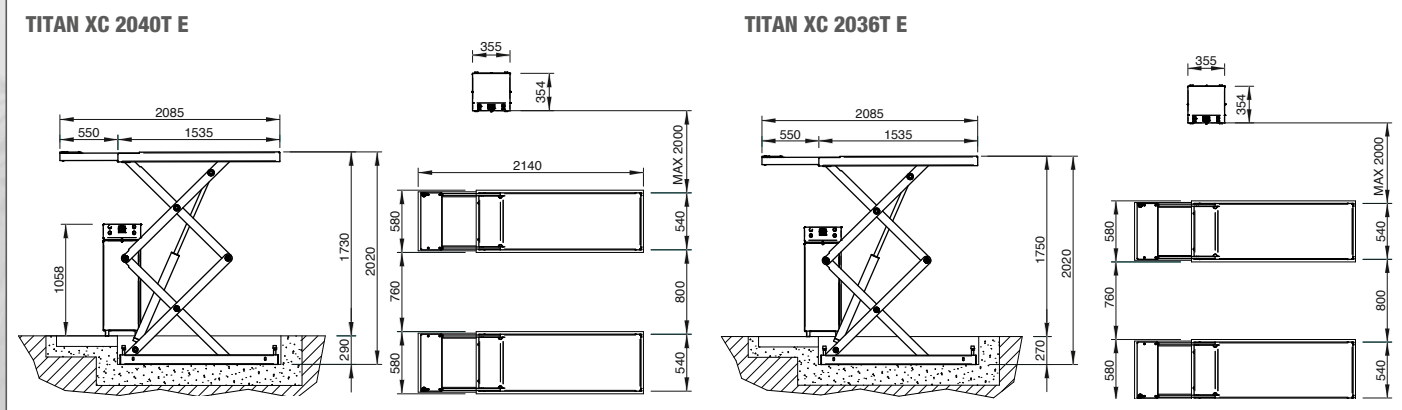
Supplied accessories

- Self-lubricating bushings on all rotating parts
- Set of 4 rubber pads

Optional

- Pair of cross pieces and pads for off-road vehicles.
- Kit for pit installations.

Dimensions



The company reserves the right to modify the technical specifications of its products at any time - by Marketing - Cod. DPMF000576 - UK - 07/2021.



NEXION SPA
info@mondolfoferro.it
www.mondolfoferro.it



Designed in
ITALY